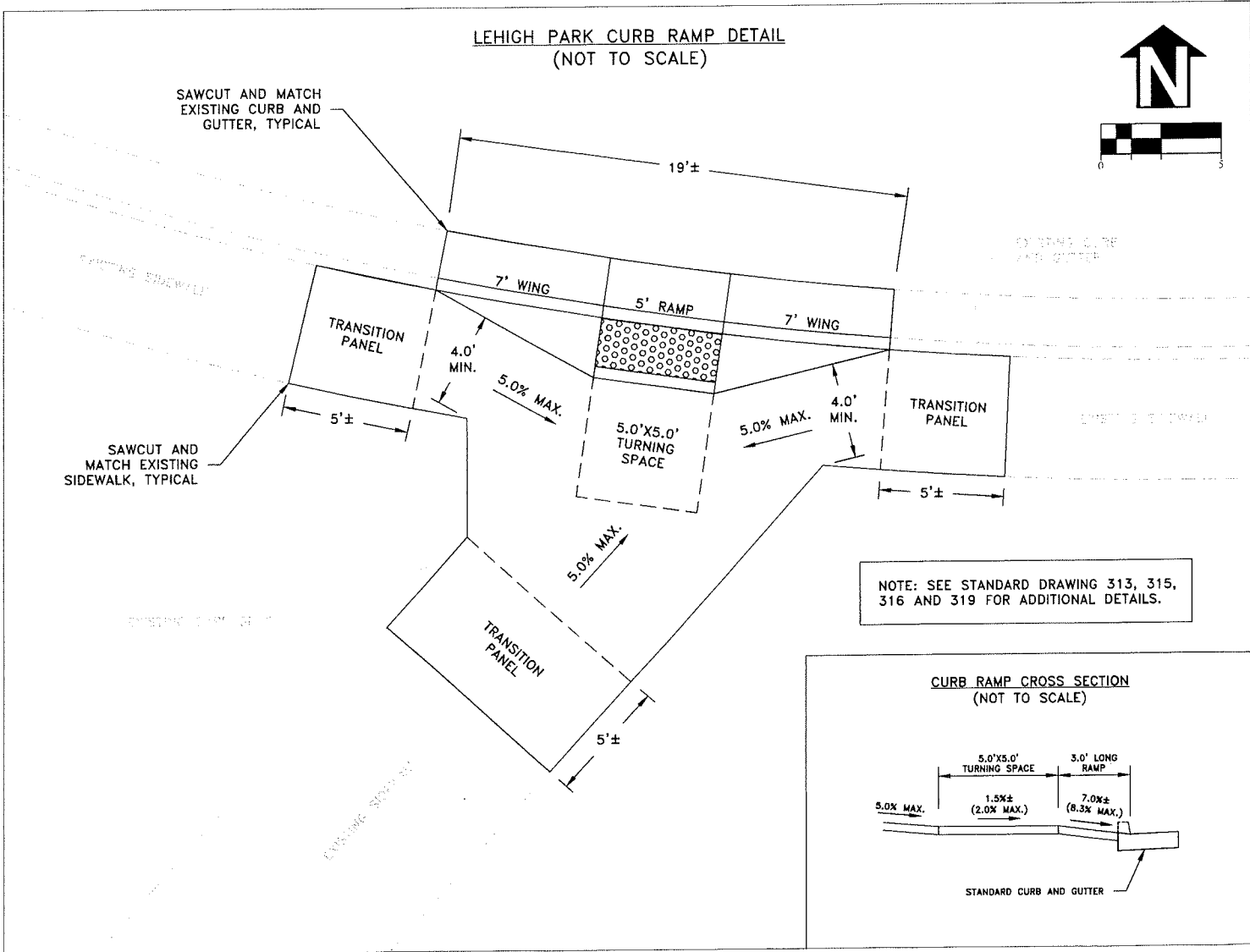
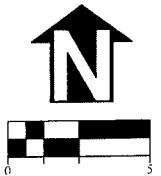


LEHIGH PARK CURB RAMP DETAIL
(NOT TO SCALE)



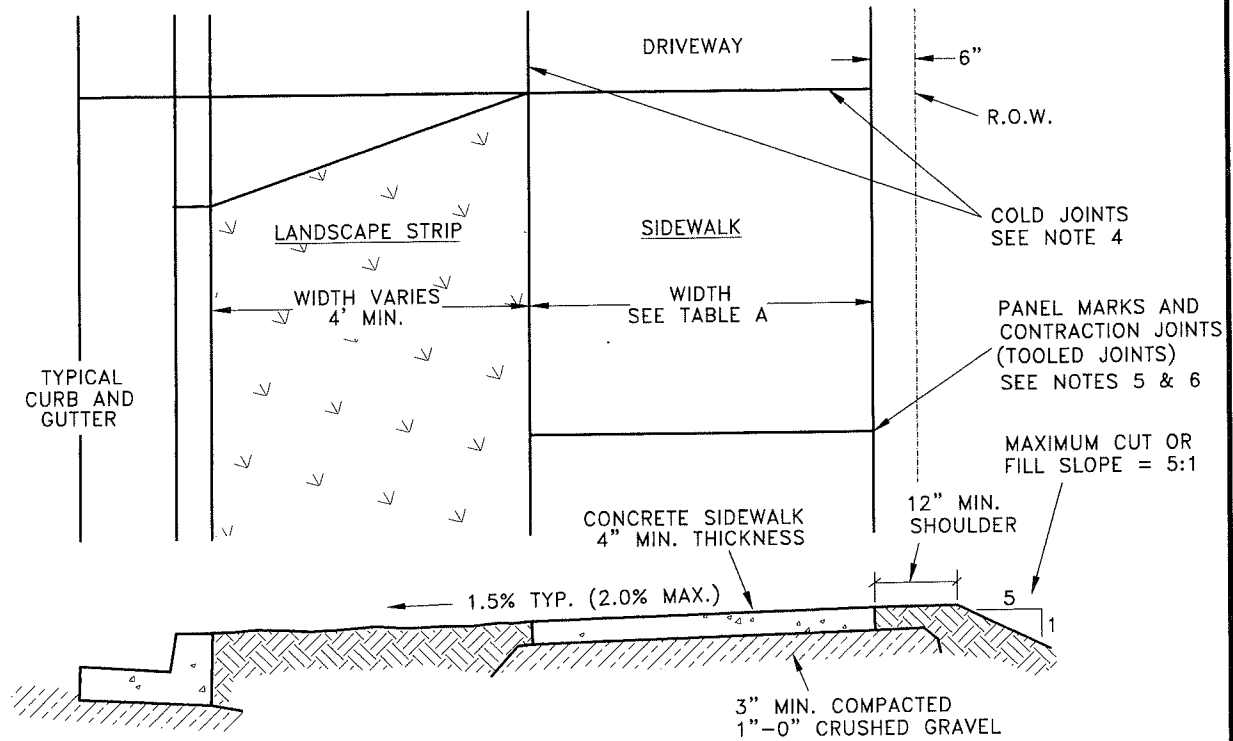
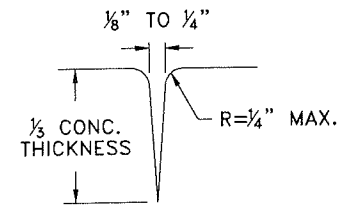
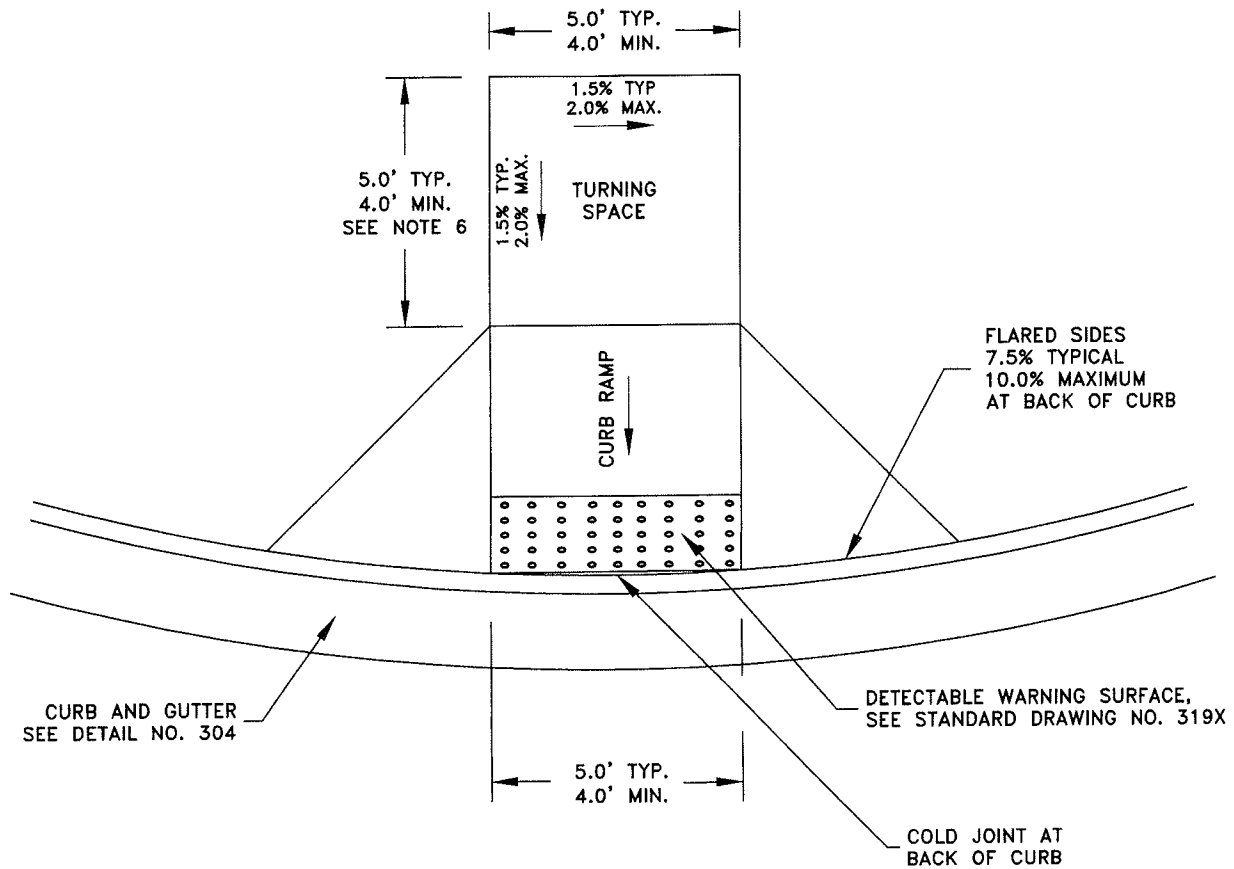


TABLE A STANDARD SIDEWALK WIDTH			CONTRACTION JOINT 
STREET TYPE	SETBACK SIDEWALK (STANDARD LOCATION)	CURBSIDE SIDEWALK (APPROVAL REQUIRED)	
ARTERIALS AND COLLECTORS	6 FT.	7 FT.	
LOCAL	5 FT.	6 FT.	

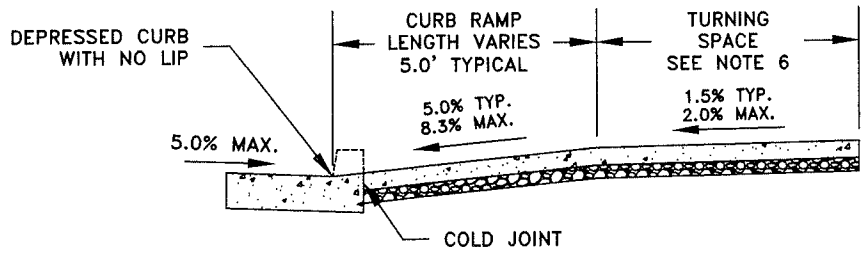
STANDARD SIDEWALK SPECIFICATIONS

- STANDARD SIDEWALK SHALL BE CONSTRUCTED A MINIMUM OF 4' BEHIND THE CURB. SIDEWALK CONSTRUCTED ADJACENT TO THE CURB IS NOT PERMITTED WITHOUT APPROVAL OF THE ENGINEER.
- CONCRETE FOR SIDEWALK SHALL HAVE A COMPRESSIVE STRENGTH OF 4000 PSI AND A 2" TO 4" SLUMP.
- THE SIDEWALK AND LANDSCAPE STRIP SHALL SLOPE TOWARD THE CURB AT 1.5% GRADE. HORIZONTAL AND VERTICAL ALIGNMENT SHALL NOT VARY MORE THAN 1/4" FROM ESTABLISHED LINE AND GRADE AS MEASURED WITH A STRAIGHT EDGE.
- COLD JOINTS SHALL BE LOCATED IN SIDEWALKS AT DRIVEWAY SECTIONS AND CHANGES OF DIRECTION. SIDEWALK SHALL NOT BE CONSTRUCTED MONOLITHICALLY WITH CURBING OR OTHER ADJACENT NON-PEDESTRIAN SURFACES. FULL DEPTH JOINT MATERIAL (3 WRAPS MIN. OF NO. 15 ROOFING FELT) SHALL BE PLACED AROUND UTILITY POLES AND FIRE HYDRANTS LOCATED WITHIN THE SIDEWALK AREA.
- THE SIDEWALK SHALL BE DIVIDED INTO EVENLY SPACED PANELS USING A V-GROOVED JOINTING TOOL. PANEL LENGTH SHALL EQUAL SIDEWALK WIDTH.
- CONTRACTION JOINTS SHALL BE CONSTRUCTED AT EVERY OTHER PANEL MARK. DEPTH OF THE JOINTS SHALL BE 1/3 OF CONCRETE THICKNESS.
- INSTALL 1/2" MAXIMUM WIDTH FULL-DEPTH EXPANSION JOINT ADJACENT TO EXISTING SIDEWALK, TYPICAL
- ALL SIDEWALKS SHALL BE FINISHED WITH A "LIGHT BROOM" FINISH. THE DIRECTION OF BROOMING SHALL BE PERPENDICULAR TO THE LENGTH OF THE SIDEWALK. OUTSIDE EDGES OF THE SIDEWALK AND PANEL MARKS SHALL BE FINISHED WITH A V-GROOVED EDGING TOOL.
- SEE DETAIL DWG. NO. 314 FOR SIDEWALK SPECIFICATIONS RELATIVE TO CONSTRUCTION AROUND OBSTACLES (MAILBOXES, POLES, ETC.).
- CONCRETE SIDEWALK ADJACENT TO ROLLED CURB SHALL HAVE A 6" MIN. THICKNESS.

CITY OF ALBANY, OREGON PUBLIC WORKS DEPARTMENT		
STANDARD (SETBACK) SIDEWALK		
NO SCALE	APRIL 2023	NO. 313



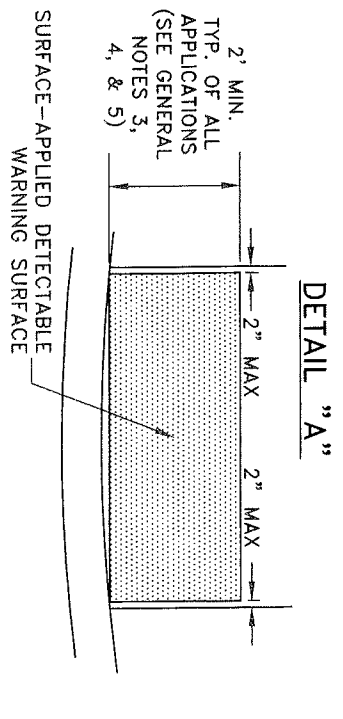
CURB RAMP CROSS SECTION



NOTES:

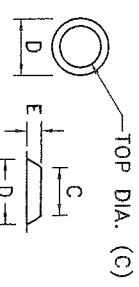
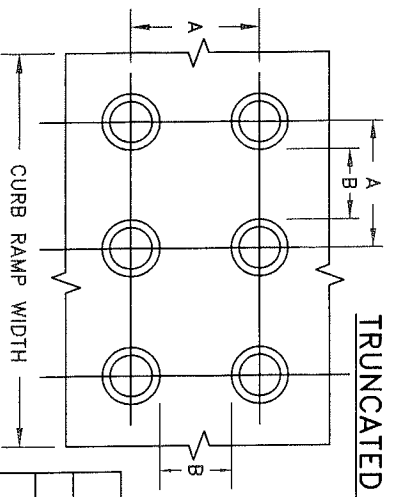
1. THE LOCATION AND GEOMETRY OF CURB RAMPS SHALL BE DESIGNED BY THE PROJECT ENGINEER IN ACCORDANCE WITH THE AMERICANS WITH DISABILITIES ACT, THE ALBANY DEVELOPMENT CODE, AND THE ALBANY ENGINEERS STANDARDS.
2. ALL CURB RAMPS SHALL COMPLY WITH THE CURRENT ACCESSIBILITY GUIDELINES FOR PEDESTRIAN FACILITIES IN THE PUBLIC RIGHT-OF-WAY (PROWAG) PUBLISHED BY THE US ACCESS BOARD.
3. RAMPS SHALL CONFIRM TO THE REQUIREMENTS OF STANDARD DRAWING NO. 313 FOR PCC AND BASE.
4. THE COUNTER SLOPE OF THE GUTTER OR STREET AT THE FOOT OF CURB RAMP RUN SHALL BE 5% MAX.
5. CONSTRUCT FLARED SIDES WITH SLOPE OF 10% MAX, MEASURED PARALLEL TO THE CURB LINE,
6. WHERE THE TURNING SPACE IS CONSTRAINED AT THE BACK OF SIDEWALK, THE TURNING SPACE SHALL BE A MINIMUM OF 5.0' IN THE DIRECTION OF THE CURB RAMP.

CITY OF ALBANY, OREGON PUBLIC WORKS DEPARTMENT		
PERPENDICULAR CURB RAMP		
NO SCALE	APRIL 2023	NO. 316

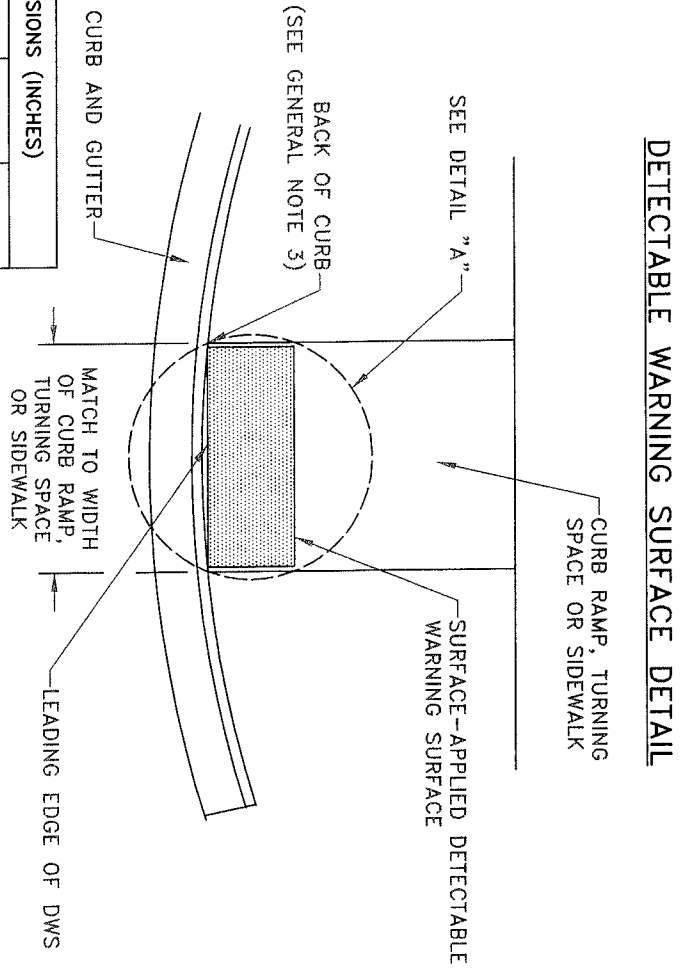


DETAIL "A"

TRUNCATED DOME DETAILS



TRUNCATED DOME DIMENSIONS (INCHES)					
	A	B	C	D	E
MIN.	1.60	0.65	50% D	0.90	0.20
MAX.	2.40	-	65% D	1.40	0.20



DETECTABLE WARNING SURFACE DETAIL

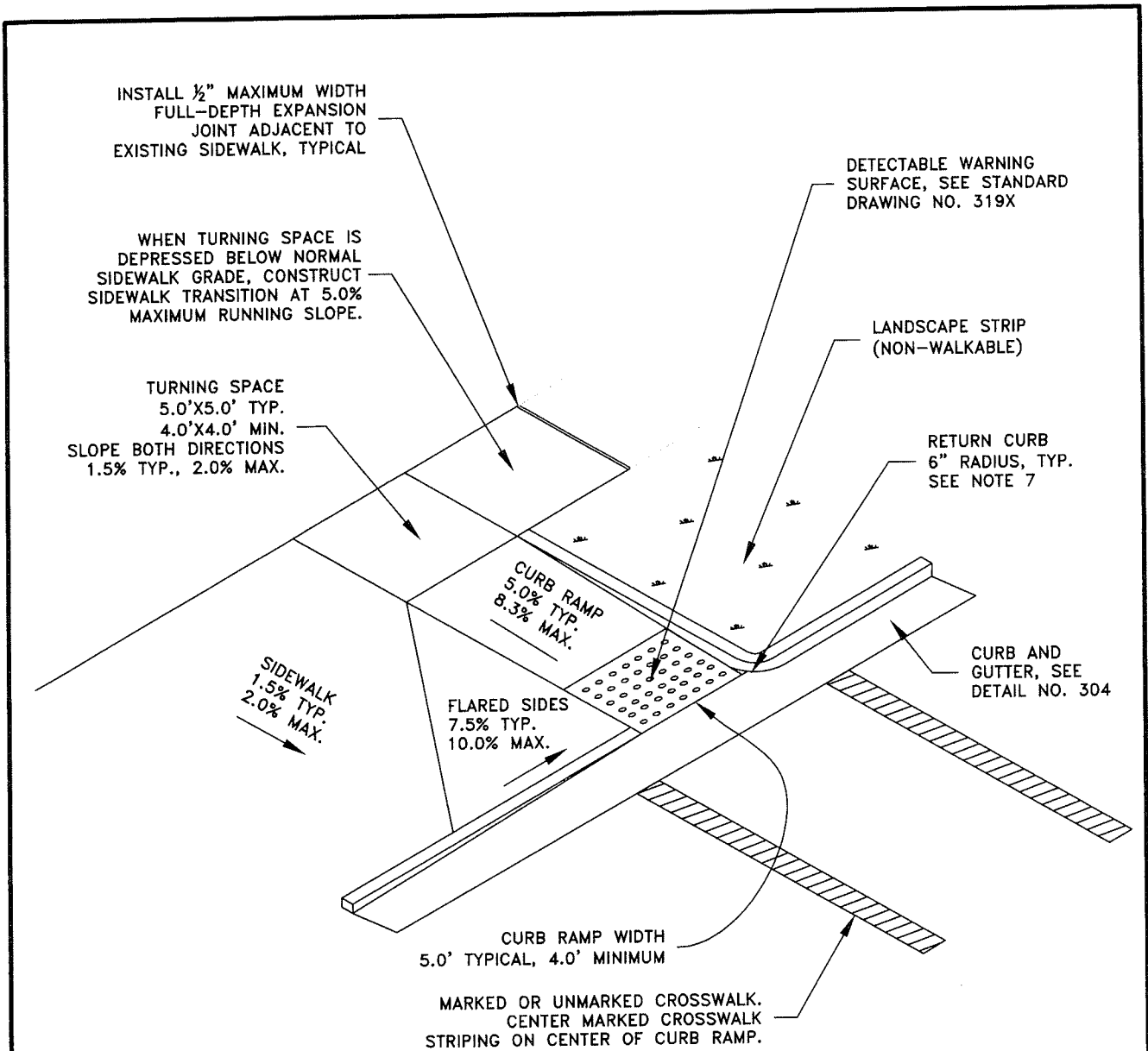
NOTES:

1. THE DETECTABLE WARNING SURFACE SHALL EXTEND THE FULL WIDTH OF THE CURB RAMP OPENING, SHARED PATH, BLENDED TRANSITION, TURNING SPACE, OR OTHER ROADWAY ENTRANCE AS APPLICABLE. A GAP OF UP TO 2 INCHES ON EACH SIDE OF THE DETECTABLE WARNING SURFACE IS PERMITTED
2. DETECTABLE WARNING SURFACE SHALL BE PLACED AT THE BACK OF CURB FOR A MINIMUM DEPTH OF 2 FT. IN THE DIRECTION OF PEDESTRIAN TRAVEL AT CURB RAMP THAT ARE ADJACENT TO TRAFFIC. DETECTABLE WARNING SURFACE MAY BE RADIAL OR RECTANGULAR, BUT MUST COMPLY WITH THE TRUNCATED DOME SIZE AND SPACING STANDARDS. DETECTABLE WARNING SURFACE MAY BE CUT TO MEET NECESSARY SHAPE AS SHOWN ON THE CONSTRUCTION DRAWINGS. THE DETECTABLE WARNING SURFACE SHALL NOT BE PLACED ACROSS A GRADE BREAK.
3. DETECTABLE WARNING SURFACE SHALL BE USED IN THE FOLLOWING LOCATIONS:
 - A). CURB RAMP AT STREET CROSSINGS
 - B). PEDESTRIAN ISLANDS (ACCESSIBLE ROUTE ISLANDS)
 - C). RAILROAD CROSSINGS
4. WHERE NO CURB IS PRESENT, THE DETECTABLE WARNING SURFACE SHALL BE PLACED AT THE EDGE OF PAVEMENT.
5. DETECTABLE WARNING COLOR SHALL BE SAFETY YELLOW, EXCEPT IN DOWNTOWN ALBANY WHERE IT SHALL BE BLACK IN COLOR. ALTERNATIVE COLORS REQUIRE PRIOR APPROVAL OF THE CITY ENGINEER.

CITY OF ALBANY, OREGON
PUBLIC WORKS DEPARTMENT

DETECTABLE WARNING SURFACE DETAIL

NO SCALE APRIL 2023 NO. 319



NOTES:

1. THE LOCATION AND GEOMETRY OF CURB RAMPS SHALL BE DESIGNED BY THE PROJECT ENGINEER IN ACCORDANCE WITH THE AMERICANS WITH DISABILITIES ACT, THE ALBANY DEVELOPMENT CODE, AND THE ALBANY ENGINEERING STANDARDS.
2. ALL CURB RAMPS SHALL COMPLY WITH THE CURRENT ACCESSIBILITY GUIDELINES FOR PEDESTRIAN FACILITIES IN THE PUBLIC RIGHT-OF-WAY (PROWAG) PUBLISHED BY THE U.S. ACCESS BOARD.
3. EACH CURB RAMP SHALL SERVE ONE END OF ONE CROSSWALK. TWO CROSSWALKS SHALL NOT SHARE ONE CURB RAMP.
4. RAMPS SHALL CONFIRM TO THE REQUIREMENTS OF STANDARD DRAWING NO. 313 FOR PCC AND BASE.
5. THE COUNTER SLOPE OF THE GUTTER OR STREET AT THE FOOT OF CURB RAMP RUN SHALL BE 5% MAX.
6. NO LIP ALLOWED AT BOTTOM OF RAMP
7. RETURN CURB MAY BE PROVIDED IN LIEU OF FLARED SLOPE ONLY IF PROTECTED FROM TRAVERSE TRAVEL BY LANDSCAPING, HANDRAIL OR OTHER OBSTRUCTION. RETURN CURB SHALL NOT REDUCE WIDTH OF APPROACHING SIDEWALK.
8. MAXIMUM REQUIRED CURB RAMP LENGTH SHALL BE 15.0' REGARDLESS OF CURB RAMP SLOPE.
9. THE CITY ENGINEER MAY AUTHORIZE DESIGN EXCEPTIONS FOR ALTERATIONS OF EXISTING FACILITIES WHEN EXISTING PHYSICAL CONSTRAINTS PREVENT FULL COMPLIANCE.

<p>CITY OF ALBANY, OREGON PUBLIC WORKS DEPARTMENT</p>		
<p>GENERAL CURB RAMP DETAILS</p>		
NO SCALE	APRIL 2023	NO. 315