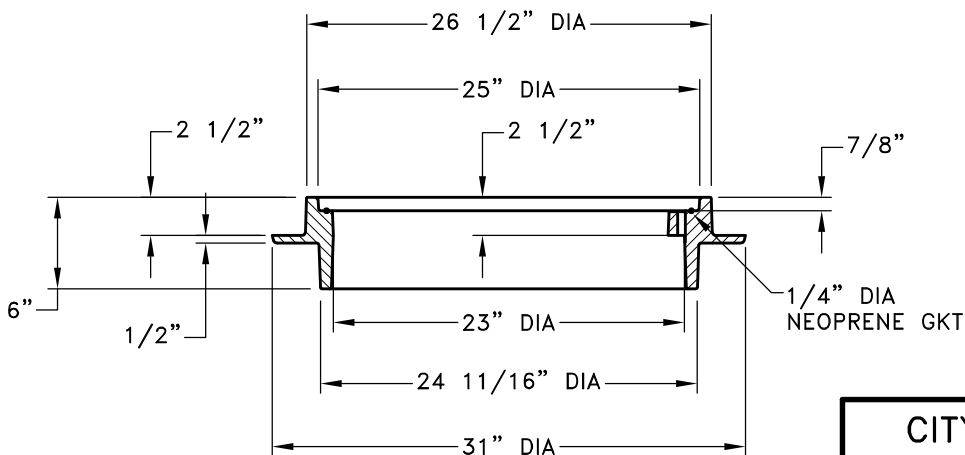
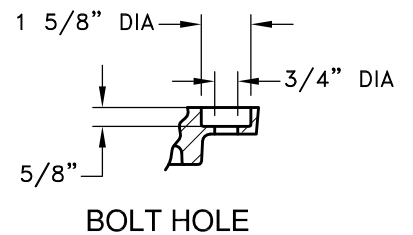


FRAME AND COVER ASSEMBLY SHALL BE MACHINED AS NECESSARY TO PREVENT MOVEMENT OF THE COVER WITHIN THE FRAME UNDER TRAFFIC LOADS.

COVER SECTION



FRAME SECTION



CITY OF ALBANY, OREGON PUBLIC WORKS DEPARTMENT		
WATERTIGHT MANHOLE FRAME & COVER		
NO SCALE	JULY 2019	NO. 405