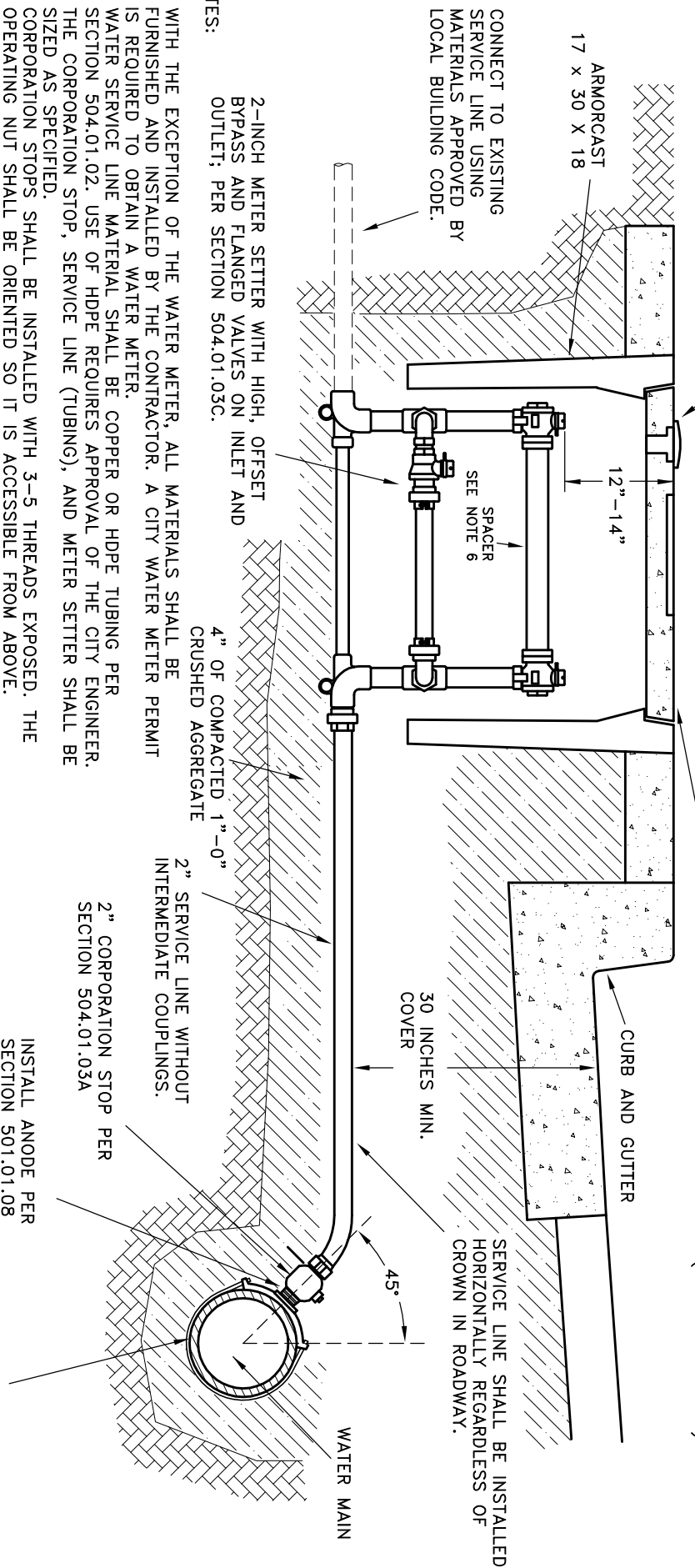


INSTALL TOUCH READ SENSOR HOUSING WITH PLUG

LOCATE METER BOX IN CENTER OF SIDEWALK REGARDLESS OF LOCATION, CURBSIDE OR SETBACK. (CURBSIDE SHOWN)



NOTES:
 2-INCH METER SETTER WITH HIGH, OFFSET BYPASS AND FLANGED VALVES ON INLET AND OUTLET; PER SECTION 504.01.03C.

1. WITH THE EXCEPTION OF THE WATER METER, ALL MATERIALS SHALL BE FURNISHED AND INSTALLED BY THE CONTRACTOR. A CITY WATER METER PERMIT IS REQUIRED TO OBTAIN A WATER METER.
2. WATER SERVICE LINE MATERIAL SHALL BE COPPER OR HDPE TUBING PER SECTION 504.01.02. USE OF HDPE REQUIRES APPROVAL OF THE CITY ENGINEER.
3. THE CORPORATION STOP, SERVICE LINE (TUBING), AND METER SETTER SHALL BE SIZED AS SPECIFIED.
4. CORPORATION STOPS SHALL BE INSTALLED WITH 3-5 THREADS EXPOSED. THE OPERATING NUT SHALL BE ORIENTED SO IT IS ACCESSIBLE FROM ABOVE.
5. WHERE INSTALLED BY THE CONTRACTOR, THE METER SETTER SHALL BE SET PLUMB AND CENTERED EACH WAY INSIDE THE METER BOX.
6. BRONZE SERVICE SADDLES (BRONZE DOUBLE STRAPS AND BRONZE BODIED) ARE REQUIRED FOR ALL SERVICE TAPS GREATER THAN 1" PER SECTION 504.01.04.
7. CATHODIC PROTECTION IS REQUIRED FOR NEW COPPER SERVICES AND TAPS ON EXISTING MAINS PER SECTION 501.01.08.
8. INSTALL METER SETTER WITH CITY-SUPPLIED SPACING SPOOL. THE CITY WILL RECOVER THE SPOOL WHEN INSTALLING THE METER. THE SPACING SPOOL IS NOT REQUIRED IF THE SETTER IS SUPPLIED AND PROPERLY INSTALLED WITH THE FACTORY SPACER INTACT.
9. CUTTING, REMAINING, SIZING, AND BENDING OF COPPER TUBING SHALL BE PERFORMED USING TOOLS AND PRACTICES SPECIFIC TO THOSE OPERATIONS.
10. ALL COPPER SERVICE LINES SHALL BE DIRECT BURIED IN ROCK BACKFILL TO AVOID ANY COPPER CONTACT WITH NATIVE SOIL. COPPER SERVICE LINES SHALL NOT BE INSTALLED BY JACKING OR BORING.
11. 12 GAUGE TRACER WIRE SHALL BE INSTALLED WITH HDPE SERVICE LINES.
12. STAINLESS STEEL STIFFENERS SHALL BE USED FOR 2" HDPE SERVICE LINES.

INSTALL ANODE PER SECTION 501.01.08

SADDLES SHALL BE TAPPED FOR AWWA TAPER THREAD. SEE NOTE 6.

CITY OF ALBANY, OREGON
 PUBLIC WORKS DEPARTMENT

1 1/2" AND 2"
 WATER SERVICES

NO SCALE JULY 2019 NO. 508