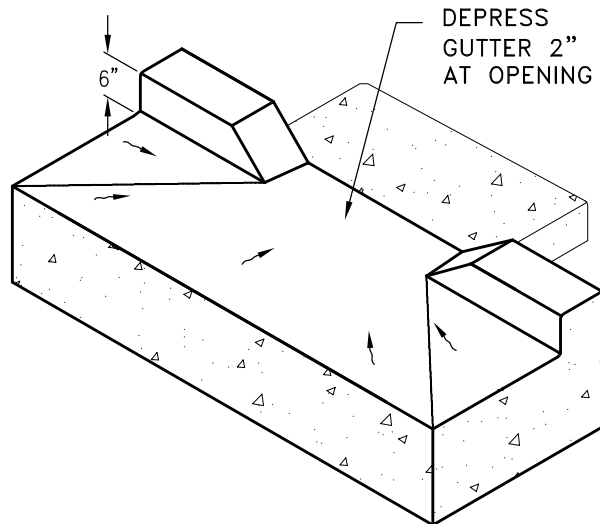
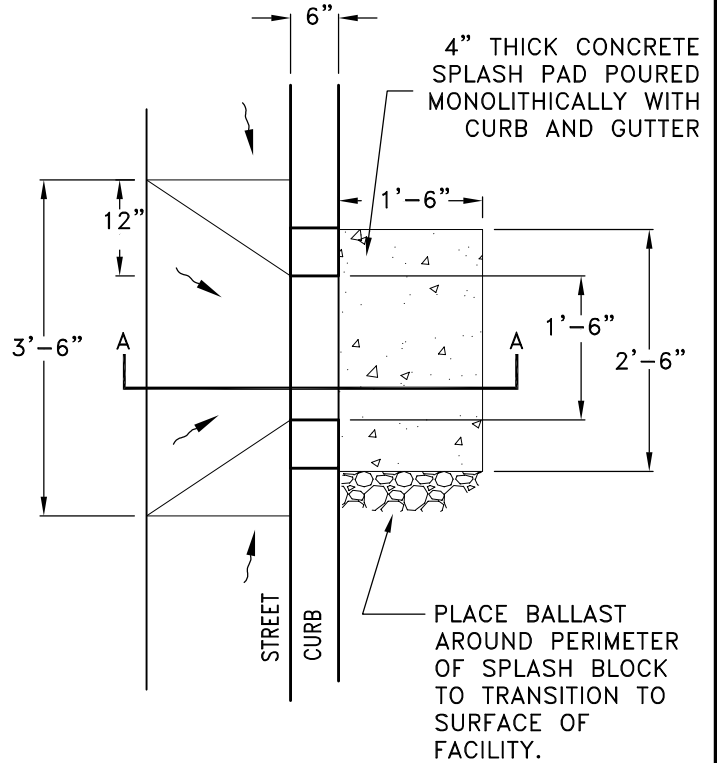


SECTION A-A



NOTES

1. ALL PCC SURFACES SHALL BE SMOOTH AND FREE OF DEFECTS, AND SHALL HAVE A LIGHT BROOM TEXTURED FINISH.
2. CONCRETE SPLASH PADS SHALL BE 12" WIDER THAN THE WIDTH OF THE CURB NOTCH OPENING.

CITY OF ALBANY, OREGON PUBLIC WORKS DEPARTMENT		
TYPICAL STREETSIDE CURB NOTCH		
NO SCALE	JANUARY 2018	NO. 612