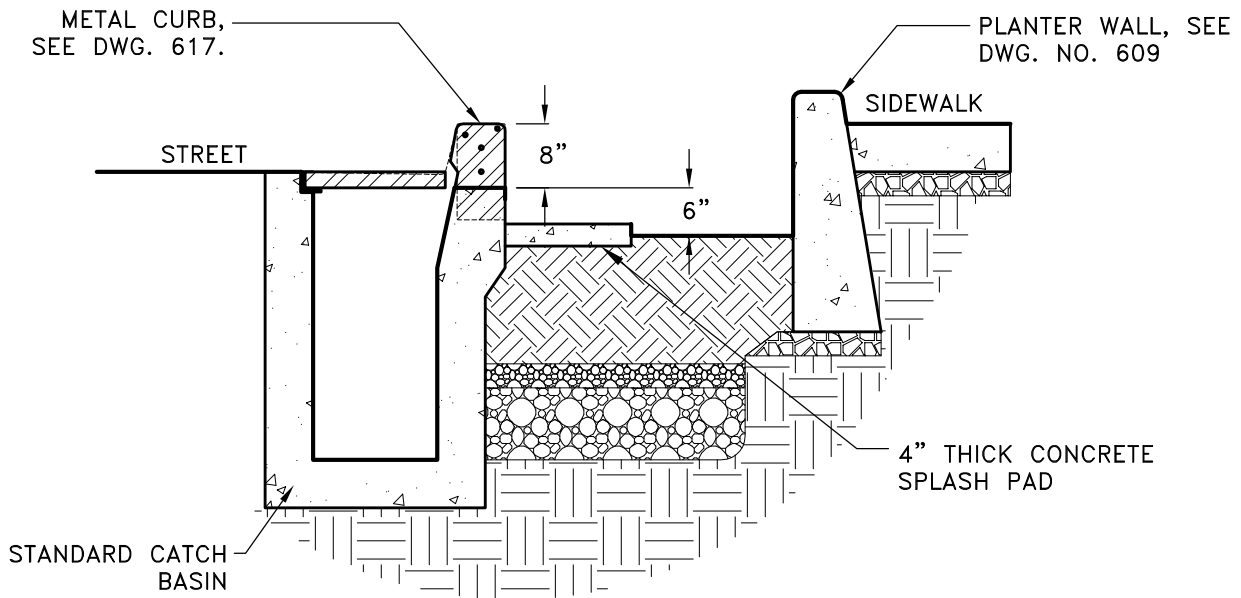


PLAN



SECTION A-A

CITY OF ALBANY, OREGON PUBLIC WORKS DEPARTMENT		
CATCH BASIN SEDIMENT COLLECTOR WITH PLANTER		
NO SCALE	JANUARY 2018	NO. 616A