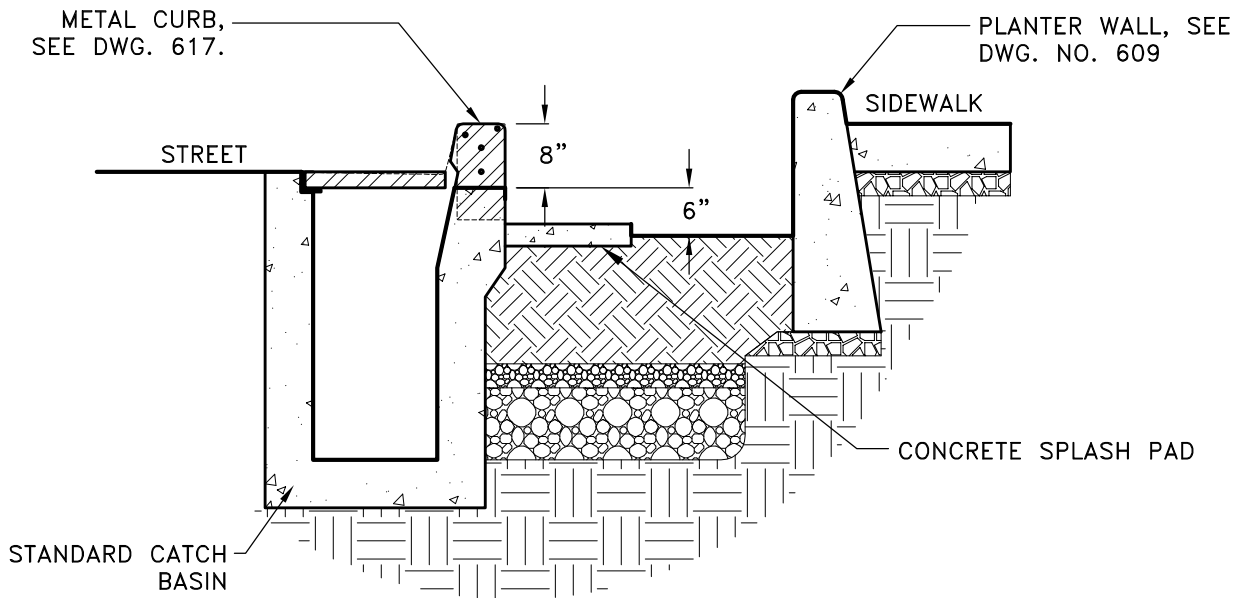


PLAN



SECTION A-A

CITY OF ALBANY, OREGON PUBLIC WORKS DEPARTMENT		
CATCH BASIN SEDIMENT COLLECTOR WITH PLANTER		
NO SCALE	JULY 2019	NO. 616A